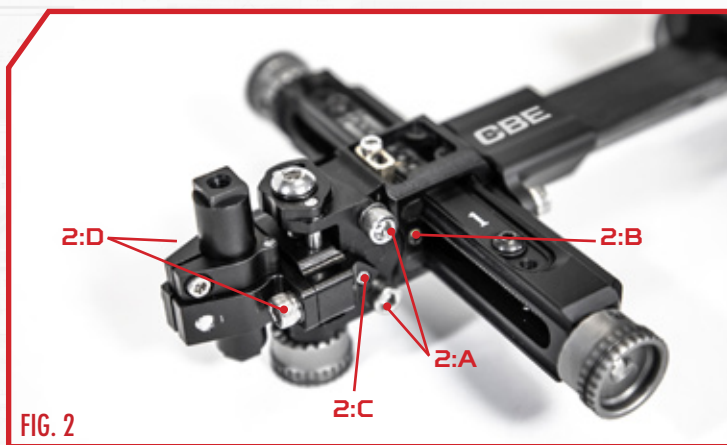
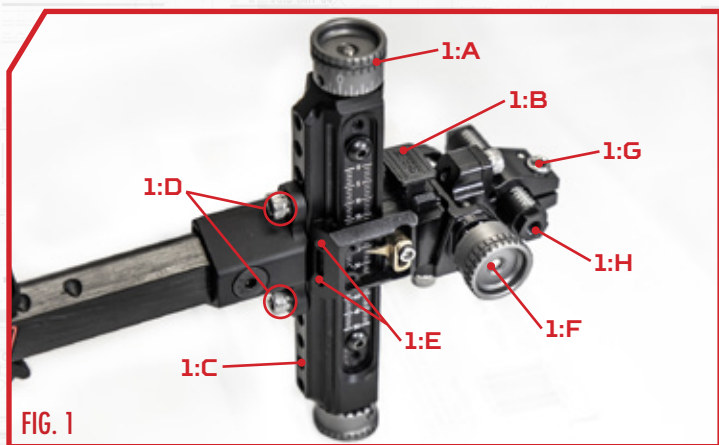


# ELEVATE

## SIGHT INSTRUCTIONS



### ELEVATION ADJUSTMENTS:

The CBE Elevate has micro-click style elevation with a rapid travel capability. The elevation thread pitch is #10-24 (24 turns per inch of elevation travel). The elevation knob (1:A) has 20 clicks per revolution. This results in .002" of elevation travel per click.

In order to use the rapid travel function, simply squeeze the rapid travel button (1:B) and slide the sight to the desired position and release the rapid travel button. It may be necessary to move the elevation unit slightly by hand in order to ensure that the threads are fully engaged.

If any additional elevation travel is required, the elevation frame can be moved up or down to one of the eight mounting positions (1:C). This is done by removing the 2 #8-32 screws from the carbon bar mount (1:D). Move to the desired position and reinstall the screws. Note that you will need to re-level the 1st axis on the sight once this is completed.

Elevation tightness can be adjusted by tightening the (4) #4-40 set screws on the elevation unit (1:E). Tighten 1/8 of a turn at a time and test. Repeat until the desired feel is achieved. There are also (4) #2-56 screws in front of the elevation unit (it will be necessary to remove the windage unit by removing the (2) #8-32 screws on the bottom of the elevation unit (2:A)). These screws are pre-set from the factory, but can also be used to increase the tightness in the elevation travel. Use the same process as previously described.

If any backlash develops in the elevation system, the #4-40 set screw on the bottom of the elevation unit (2:B) can be tightened to remove any backlash. Be very careful not to overtighten as this can result in the brass elevation nut getting stuck, resulting in an inoperable elevation drive and it may cause the rapid travel button and spring to be dislodged.

### WINDAGE ADJUSTMENTS:

The CBE Elevate has micro-click style windage adjustment. The windage thread pitch is #10-24 (24 turns per inch of windage travel). The windage knob (1:F) has 20 clicks per revolution. This results in .002" of windage travel per click. In order to set your windage, it is recommended to macro-adjust by loosening the #8-32 scope tube clamp screw (1:G) and sliding the windage tube (1:H) to position. Then, use the windage micro knob for precise, on the fly adjustments. There is a tension screw on the bottom of the windage unit (2:C), which can be used to adjust the difficulty of turning the knob.

### 1ST AXIS:

1st axis can be set by loosening the 2 #8-32 screws (1:D) on the carbon bar adaptor, adjusting the 1st axis, and tightening the screws back down.

### 2ND AXIS:

2nd axis can be set by loosening the 2 #8-32 screws (2:D) on the windage tube clamp, adjusting the 2nd axis, and tightening the screws back down.

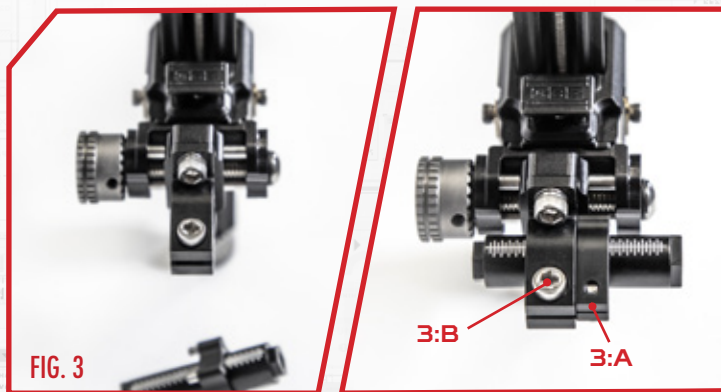
### 3RD AXIS:

3rd axis can be set by loosening the 2 #8-32 screws (2:A) on the bottom of the windage unit, adjusting the 3rd axis, and tightening the screws back down.

### SCOPE QUICK DISCONNECT:

The CBE Elevate is equipped with a scope quick disconnect clamp (3:A). It is important to install this prior to setting up and sighting in. Place the scope quick disconnect clamp on the windage tube with the dowel pins facing away from the scope. Next install the scope and windage tube into the scope tube clamp. Once the windage tube is positioned properly, locate the scope quick disconnect clamp up against the scope tube clamp and lock in place with the screw.

To use the quick disconnect feature, simply loosen the scope tube clamp screw (3:B) and slide the scope tube out. The scope quick disconnect clamp can then be used to locate the scope back to the same position during reinstallation.

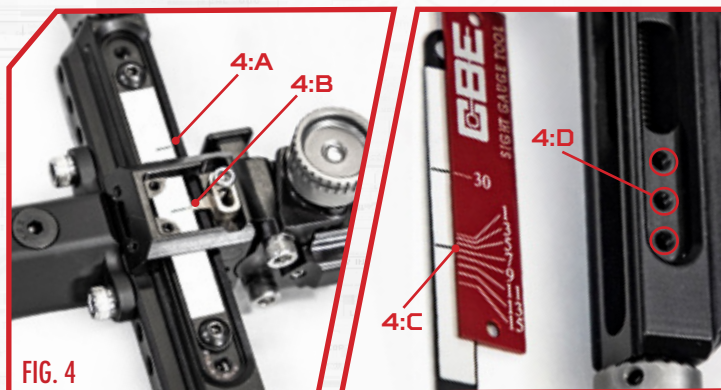


### SIGHT SCALES/ SIGHT SCALE SOFTWARE

The CBE Elevate comes with 15 laser engraved sight scales and a standard scale for use with online scale software. A blank sight scale and a sight scale gauge are also included for set up purposes.

To choose the correct laser engraved sight scale for your setup, sight in at 30 yards. Mark the blank white paper sight tape on the back of the #15 sight scale (4:A). Next, sight in at 60 yards, and make another mark on the blank white sight tape (4:B). Once you have these marks set, using the sight tape gauge, align the line labeled "30" with your 30-yard mark on the blank white sight tape. The corresponding numbered line on the gauge which aligns with your 60-yard mark will determine which number sight scale you should use (4:C).

The standard sight scale is included for use with online software. The elevation thread pitch is #10-24 (24 turns per inch of elevation travel). The elevation knob has 20 clicks per revolution. This results in .002" of elevation travel per click. Also, 3 sets of mounting holes (4:D) are provided on each side of the elevation frame in order to provide optimum sight scale placement for your setup.



## THE OUTDOOR GROUP, LLC

1325 John Street, West Henrietta, NY 14586

(877) 503-5483

[www.custombowequipment.com](http://www.custombowequipment.com)



### LIABILITY DISCLAIMER

The Outdoor Group, LLC is not liable for any personal injury, death, or property damage that may result from your use of this product. The user of this product assumes all risks of property damage or injury to yourself and others that may arise from its use. Use of this product binds the user to this agreement.

## THANK YOU FOR CHOOSING CUSTOM BOW EQUIPMENT!

### WARRANTY

For warranty information visit [custombowequipment.com](http://custombowequipment.com)

### PATENT INFORMATION

This product is covered by one or more patents. A complete list of Custom Bow Equipment patents can be found by visiting [custombowequipment.com/pages/patents](http://custombowequipment.com/pages/patents)